

Pendant&Surface CS7035

CS7035-A60



CS7035-A60

Basic Parameters

Application	Indoor
Material	AL6063-T5,spraying surface
IP Grade	IP20
Warranty	5 years

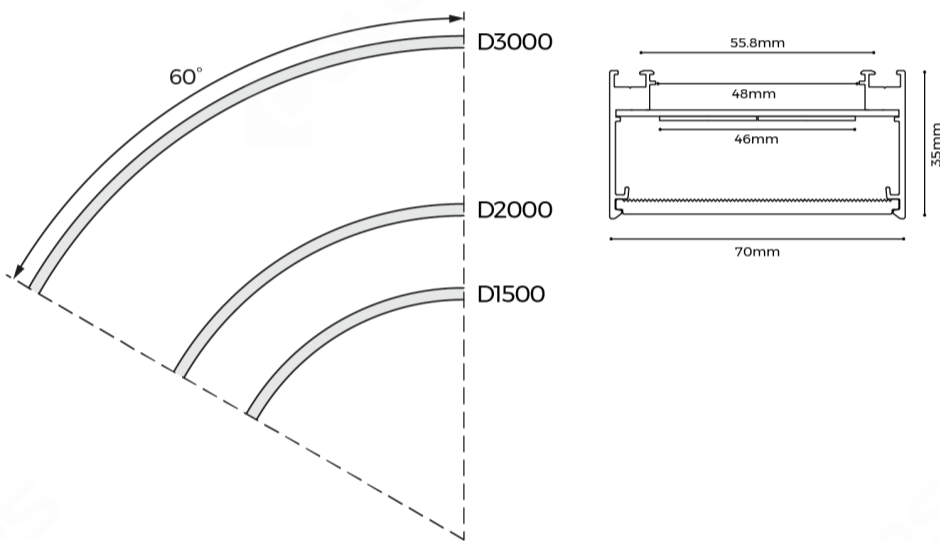
Electrical Parameters

Optical Parameters

Length	D1500mm,D2000mm,D3000mm
Luminous Efficacy	85LM/W



Dimensions

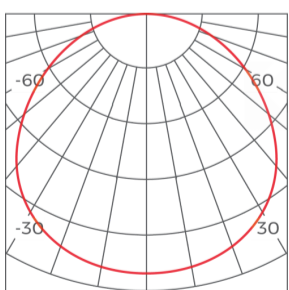


Luminaire Parameters

Version	Size(mm)	Power(W)	PCB Current(A)	CRI	CCT	Lumens(LM) @White, Silver	Lumens(LM) @Black
Regular	D1500mm	43	1.79	>80	4000K	3655	3106
Regular	D2000mm	58	2.42	>80	4000K	4930	4190
Regular	D3000mm	89	3.71	>80	4000K	7565	6430
Regular	D1500mm	43	1.79	>90	4000K	3143	2671
Regular	D2000mm	58	2.42	>90	4000K	4239	3603
Regular	D3000mm	89	3.71	>90	4000K	6505	5530

Light Distribution

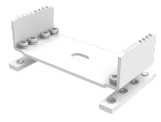
Regular-110°



h(m)	D(cm)	E(lx)
1	285	987
2	571	237
3	856	101
4	1142	57

Common Accessories

Splicing accessory



EX-E17

Applicable product model: CS7035/CE7035 Material process:SPCC/ Electroplating Size: L66.5*W30*H18mm Quantity: 1 PCS/SET Other:Includes mounting screws.

Dedicated light source



DM51202423

Applicable product model: CS5035/CS5070/CE5035(stick a single strip)
CS7035/CS7070/CE7035(paste two strips placed parallel to each other)
Size: 4000*23*1.5mm/5000*23*1.5mm
Cutting Unit:50mm
Input Voltage:DC24V
Typ.Power:14.4W/M(5M/roll); 24W/M(4M/roll)
Typ.luminous flux:
800LM/M@RGBNW(5M/roll)
1320LM/M@RGBNW(4M/roll)
CCT:RGB(DMX)+2700/RGB(DMX)+3000/RGB(DMX)+4000/RGB(DMX)+6000K
CRI: RA80 @ white light
Other:20# wire diameter,outer diameter 5.5mm, PVC material;5PIN red/black/green/blue/white wire



DS81602423

Applicable product model: CS5035/CS5070/CE5035(stick a single strip)
CS7035/CS7070/CE7035(paste two strips placed parallel to each other)
Size: 4000*23*1.5mm/5000*23*1.5mm
Cutting Unit:50mm
Input Voltage:DC24V
Typ.Power:14.4W/M(5M/roll); 24W/M(4M/roll)
Typ.luminous flux:
2300LM/M@RA80,4000k(5M/roll)
3600LM/M@RA80,4000k(4M/roll)
CCT: 2700/3000/3500/4000/5000/6500K
CRI: 80/90
Other:18# wire diameter,PVC material, 2PIN red-black wire



DS83202423

Applicable product model:CS5035/CS5070/CE5035(stick a single strip)
CS7035/CS7070/CE7035(paste two strips placed parallel to each other)
Size: 3000*23*1.5mm/4000*23*1.5mm
Cutting Unit:50mm/16LEDs
Input Voltage:DC24V
Typ.Power:
48W/M(2700K+6500K)@3M/roll
28.8W/M(2700K+6500K)@4M/roll
Typ.luminous flux:
4000LM/M@RA80,2700K+6500K(4M/roll)
6700LM/M@RA80,2700K+6500K(3M/roll)
CCT: 2700K+6500K
CRI: 80/90
Other:Outer diameter 6mm,18# wire diameter, brown-blue-green 3PIN crystal wire

Cover



CV-CS7035D

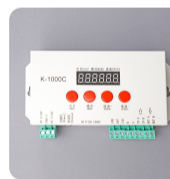
Applicable product model:CS7035/CS7070/CE7035(suitable for down-lighting)
Diffuser Nature: Diffuser
Material process: Silica gel flexible/smooth
Light transmittance:≥65%
Size: 20000*67.2*5mm
Other: Fire protection rating UL94-V2 ;

Controller



CR2-GBA

Product Name: CR2-GBA Input Voltage: 12-48V Output Current:8A*2CH,Max 16A Output Power:192W/384W@12V/24V , 384W/576W@36V/48V Dimming Mode: Two-color 2.4 remote control IP:IP20 Product Size:L175*W45*H27(mm)



K-1000C

Product Name: K-1000C Input voltage: 5-24V Control Pixel Points:Point Control 1CH*1024(SPI),Point Control 1CH*512(DMX) Dimming mode:DMX/SPI control IP:IP20Warranty: 5 years



K-8000C

Product Name: K-8000C Input Voltage: 5-24V Control Pixel Points:Point Control 8CH*1024(SPI),Point Control 8CH*512(DMX) Dimming mode:DMX/SPI control IP:IP20Warranty: 5 years

End cap accessory



EC-MS7035

Applicable product model: MS7035
Material process: aluminum/ powder spraying Size: L70*W35*H2.5mm Quantity:2PCS/ set

Installation accessory



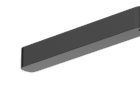
CL-01

Applicable product model:LE1616/LG2323/LG2727/LG7043/LG7070/LR0812/LR1613/LR1616/LR2013/LR3735/LR3840(A)/LR3840(B)/LR3924/LR3943/SK10032/SK6013(A)/SK6013(B)/LR5535(A)/LR5535(B)/LS3360/LS4067/LS5470(F)/LS7977/AS3535-2500/AS3535-08A45/90/AS3535-15A45/90/AS3535-30A45/AS3535-03A90/AS3535-03N90/AS3535-03W90/AS3535-15N90/AS3535-15W90/LR25/BH3360/BH5470/BH7977/BS3360/BS5470/BS7977 Installation method: Ceiling Material process: Carbon Steel Size: M3.5*40mm Quantity: 4 PCS/ set Others:4 pcs screws+4 pcs expansion tube



CP-55

Applicable product model: MS7035/MS7070/ME7035 Applicable installation: Pendant/Ceiling/Recessed Material process: Stainless Steel Size: L57.87*W20*H5.4mm Quantity: 4 PCS/SET



PB-09

Applicable product model: CS3535/CS5035/CS7035/CS3570/CS5070/CS7070 Installation method: pendant(Power box with wire) Material process: SPCC/powder spraying Maximum weight capacity: 8Kg Size: Power Box: L400*W55*H50mm Wire: D3*2000mm Quantity: 1PCS/ set Note: 1. Including 1PCS Power Box+1PCS input wire; Power supply not included. 2. One power box holds one power supply 3. Need to order separate clip(CP-XX) to use with it



PB-10

Applicable product model: CS3535/CS5035/CS7035/CS3570/CS5070/CS7070 Installation method: pendant(Power box with rod) Material process: SPCC/powder spraying Size: Power Box: L400*W55*H50mm Rod: 1-2 meter adjustable Wire: D3*2000mm Quantity: 1PCS/ set Note: 1. Including 1PCS Power Box+1PCS input wire+1PCS rod; Power supply not included. 2. One power box holds one power supply 3. Need to order separate clip(CP-XX) to use with it



PG-IXXX

Applicable product model:LS1911C/LS1911K/LS3535/LS5050/LS3360/LS4067/LS5470(F)/LS7977/LT60/BH3360/BH5470/BH7977/BS3360/BS5470/BS7977/LS60/S60/LS25/LH40FD/LH40FP/LH40G/LS40FD/LS40FP/LS40G/LS40GW/M20FD/M20G(A)/M20G/M20I/M20S/R25FD/R25FP/R25G/R25KD/R25L/R35I/R35S/RNR3OMJ/RNR3ONJ/RNR3ONK Installation method: pendant Material process:/ Maximum weight capacity: 8KG Quantity: 2PCS/ set Other:Pendant rod (1-2m adjustable), include 2pcs pendant rods, 2 pcs rectangular screw



PN(E)-D

Applicable product model: LINE ECO series Installation method: Pendant Material process: Nickel plating Size: / Quantity: 2PCS/SET Other:2 meter wire rope 2PCS, cable locker 2PCS, cable holder 2PCS, M5 flat head Phillips screws 2PCS, M4*35mm screws 2PCS, expansion tube 2PCS



PN-DXX

Applicable product model: LS1911C/LS1911K/LS3535/LS5050/LS3360/LS4067/LS5470(F)/LS7977/LT60/BH3360/BH5470/BH7977/BS3360/BS5470/BS7977/LS5470(F)/LS7977/LT60/LINE40 series product/LINE60 series product/TLS-R6X0 track Installation method: Pendant Material process: Pearl Chrome Size:/ Quantity: 2PCS/ set Other:Junction box not included, 2 pcs pendant cable accessory, pendant cable length 4m, rectangular screw model.



PP-A

Applicable product model: CS3535/CS5035/CS7035/CS3570/CS5070/CS7070 Installation method: pendant(Ceiling plate with wire) Material process: Fe/powder spraying Maximum weight capacity: 3Kg Size: Ceiling Plate: D88*29mm/Wire: D3*2000mm Open hole: D75mm Quantity: 1PCS/ set Note : 1. Including 1PCS Ceiling plate+2PCS spring s+1PCS input wire. 2. One ceiling plate holds one power supply. 3. Need to order separate clip(CP-XX) to use with it.



PP-G

Applicable product model: CS3535/CS5035/CS7035/CS3570/CS5070/CS7070 Installation method: pendant(Ceiling plate with rod) Material process: Fe/powder spraying Maximum weight capacity: 3Kg Size: Ceiling Plate: D88*29mm/Rod: 1-2 meter adjustable/Wire: D3*2000mm Open hole: D75mm Quantity: 1PCS/ set Note : 1. Including 1PCS Ceiling plate+2PCS springs+1PCS input wire+1PCS rod. 2. One ceiling plate holds one power supply. 3. Need to order separate clip(CP-XX) to use with it.

CCT-Remote control



R7-1

Product Name:R7-1 Dual Color Remote Working Voltage : 3VDC (Battery CR2032 Operating Frequency:2.4GHz Remote Control Distance: 30 meters Operating Temperature: -30°C~55°C Product Size: L107*W58.5*H9(mm)

Power Supply



BK-DEV200-24V0D
 Applicable product model: General
 Dimming mode: DALI2,PUSH-dimming,1-10V 3in1 dimming
 Size: 361*33.1*22.8mm
 Input voltage: AC200-240V
 Operating frequency: 50/60Hz
 PF value: ≥0.9
 Output voltage: DC24V
 Output current: ≤8.3A
 Power: 200W
 Efficiency: 0.92
 Certification: TUV, CE, RCM
 Case material: Metal housing



BK-DGVX-24V0D
 ProductName: BK-DGV036-24V0D/BK-DGV060-24V0D/BK-DGV100-24V0D
 Applicable product model: General
 Output power: 36W/60W/100W
 Output current: ≤1.5A/≤2.5A/≤4.2A
 Product size: 245.0*30.0*21.0mm/285.0*30.0*21.0mm/355.0*30.0*21.0mm
 Input voltage: AC200-240V
 Operating frequency: 50/60Hz
 Output voltage: DC24V
 PF value: ≥0.9
 Efficiency: ≥0.88
 IP: IP20
 Dimming mode: DALI-2,PUSH-Dimming,1-10V 3in1 Dimming
 Certification: CE, ENEC, UKCA, RCM, CCC, EL
 Material: Metal housing
 Warranty: 5 years



BK-MEV200-24V0M
 Applicable product model: General
 Dimming mode: 1-10V Dimming
 Size: 321.5*48*30mm
 Input voltage: AC200-240V
 Operating frequency: 50/60Hz
 PF value: ≥0.9
 Output voltage: DC24V
 Output current: ≤8.3A
 Power: 200W
 Efficiency: 0.93
 Certification: CE, ENEC, UKCA, RCM, CCC, EL
 Case material: Metal housing



BK-MGVX-24V0M
 ProductName: BK-MGV036-24V0M/BK-MGV060-24V0M/BK-MGV100-24V0M
 Applicable product model: General
 Output power: 36W/60W/100W
 Output current: ≤1.5A/≤2.5A/≤4.2A
 Product size: 245.0*30.0*21.0mm/285.0*30.0*21.0mm/355.0*30.0*21.0mm
 Input voltage: AC200-240V
 Operating frequency: 50/60Hz
 Output voltage: DC24V
 PF value: ≥0.9
 Efficiency: ≥0.89
 IP: IP20
 Dimming mode: 1-10V Dimming
 Certification: TUV, CE, ENEC, RCM
 Material: Metal housing
 Warranty: 5 years



LF-GHYXH24
 Applicable product model: General
 Dimming mode: Non-Dimming
 Size: 316*30.7*22.8mm / 361*33.1*22.8mm
 Input voltage: AC220-240V
 Operating frequency: 50/60Hz
 PF value: ≥0.9
 Output voltage: DC24V
 Output current: ≤4.25A / ≤10A
 Power: 100W / 240W
 Efficiency: 0.92
 Certification: ENEC, CE, CB, RCM, UKCA, MM, CCC
 Case material: Plastic

Packing

QTY/CTN	N. WT (ctn)	G.WT (ctn)	Size (cm/carton)	Product Size (mm)
15	11.6	12.76	82*54*21	D1500*70*35mm
12	8	8.8	106.5*51*21	D2000*70*35mm
12	16.1	17.71	156.5*58*21	D3000*70*35mm